

MIMIK 20 BOLLARD

PERFORMANCE
IN LIGHTING

powered by
GEWISS



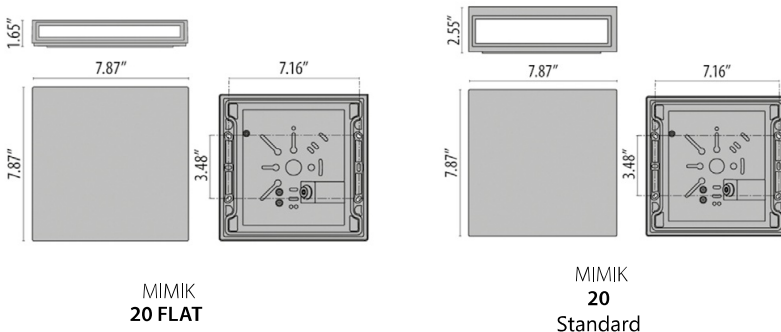
- Ceiling-, wall- and post- mount series. Fixtures consist of:
- Multi-step powder-coat painting process, optimized against UV rays and corrosion.
 - Copper-free precision die-cast aluminum housing and mounting plate.
 - Extra-clear, flat, tempered silk-screened soda-lime glass diffuser.
 - Micro-prismatic patterned, flat, tempered silk-screened soda-lime glass diffuser (FLAT versions).
 - Custom molded, anti-aging gasket(s).
 - Stainless steel external hardware.
 - Custom MCPCB utilized to maximize heat dissipation and promote a long LED life.
 - High-transmittance transparent optics.
 - Single (M) or dual (B) light emission.
 - IESNA Type II light distribution (FLAT).
 - IESNA Type II light distribution.
 - IESNA Type III light distribution.
 - IESNA Type IV light distribution.

- Input voltage: 120-277 V (50 / 60 Hz), integral 0-10 V dimming driver.
- Optional, integral, emergency battery-pack designed for a minimum operation of 90 minutes (EMPK versions).
- Customizing facade faceplate available for MIMIK FLAT versions (ordered separately).
- Post accessory available for MIMIK 20 (ordered separately).
- Consult factory for dimming options, custom finishes (please specify RAL color), and non-cataloged CCT (Kelvin) options.
- Optional clear plexiglass panel can be customized with logos for signage or wayfinding (LINE BOLLARD). Consult factory for more information.
- Product meets Buy American Act requirements within ARRA.
- 5-year warranty.
- Marine Grade finish.
- Suitable for Natatorium applications.



FINISHES

- AN-96 / Iron gray / Textured
- GR-94 / Aluminum metallic / Textured
- WH-87 / White / Textured
- BK-81 / Black / Textured
- RB-10 / Iron rust / Textured



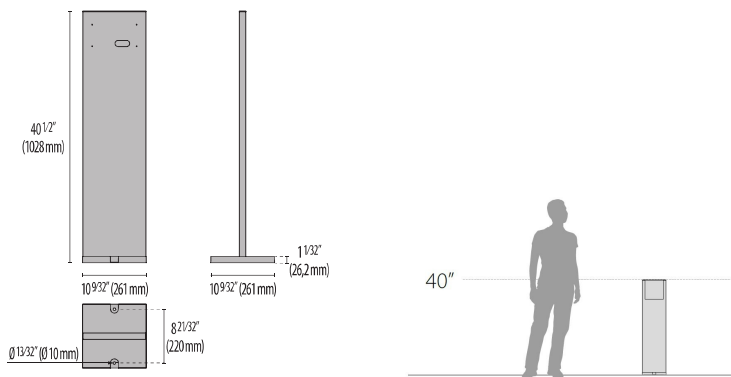
LUMEN OUTPUT		2700K	3000K	3500K	4000K	5000K
MIMIK 20 M T2	15W	1373	1385	1396	1408	1420
MIMIK 20 M T2	26W	2238	2256	2274	2292	2310
MIMIK 20 M T2 EMPK	15W	1373	1385	1396	1408	1420
MIMIK 20 M T3	15W	1385	1396	1407	1418	1429
MIMIK 20 M T3	26W	2255	2273	2291	2309	2327
MIMIK 20 M T3 EMPK	15W	1385	1396	1407	1418	1429
MIMIK 20 M T4	15W	1308	1319	1329	1340	1351
MIMIK 20 M T4	26W	2132	2149	2166	2183	2200
MIMIK 20 M T4 EMPK	15W	1308	1319	1329	1340	1351
MIMIK 20 FLAT M	14W	919	960	1001	1042	1083
MIMIK 20 FLAT B	25W	1847	1930	2012	2095	2178

WATTAGE	
MIMIK 20 M T2	15W
MIMIK 20 M T2	26W
MIMIK 20 M T3	15W
MIMIK 20 M T3	26W
MIMIK 20 M T4	15W
MIMIK 20 M T4	26W
MIMIK 20 FLAT M	14W
MIMIK 20 FLAT B	25W



Scan here
for installation
instructions

Revision 01
03/24



Order Guide - Mimik 20 Bollard

Order code example

M20BOL-M-15W-T4-AM-27K-120V-NA-FC

M20BOL

Housing Style	Bollard Height	Wattage	Optics	Finish	CRI	Kelvin/ Static Colors	Voltage	Controls	Accessories
M20 Standard M20F Flat <small>*Flat Housing is only suitable for T2 Distribution</small>	40 40" Bollard (Max)	15 15 watt (with em max)	Standard Housing only Leave Blank for Flat Housing	AM Aluminum Metallic	70 70 CRI (Standard) 80 80 CRI (Flat Standard) 90* 90 CRI *Contact Factory For Availability	27K 2700k 3K 3000k 35K 3500k 4K 4000k 5K* 5000K Consult factory for MOQ	UNV 120-277V	NA Non Dimming 0-10V 0-10V Dimming ELV ELV Dimming	EMPK Integral 15W Emergency Battery Back up (not available with flat housing) CWEMPK Remote Cold Weather Emergency Battery Back up -20°C through 55°C FC Facade cover FRST Frosted glass PHC-B Photocell Button OCC Occupancy Sensor REM Remote battery back up
	12 12" Bollard (Min)	26 26 watt max	T2 Type II	IG Iron Gray					
	XX" Specify Bollard Height 40" Max 12" Min	14 14 watt (Flat only)	T3 Type III	IR Iron Rust					
	XX Specify Wattage Must be below max	25 25 watt (Flat only) max	T4 Type IV	BK Textured Black WH Textured White CC Custom Color					

Performance in Lighting - 2621 Keys Pointe - Conyers, Georgia 30013 - USA - voice 770.822.2115 - info.usa@pil.lighting
www.performanceinlighting.com

NOTE:

MIMIK 20 IS AVAILABLE WITH ONE WAY EMISSIONS/ MONO-DIRECTIONAL
THE MIMIK 20 FLAT IS REQUIRED FOR TWO WAY EMISSIONS/BI-DIRECTIONAL

Revision 01
03/24